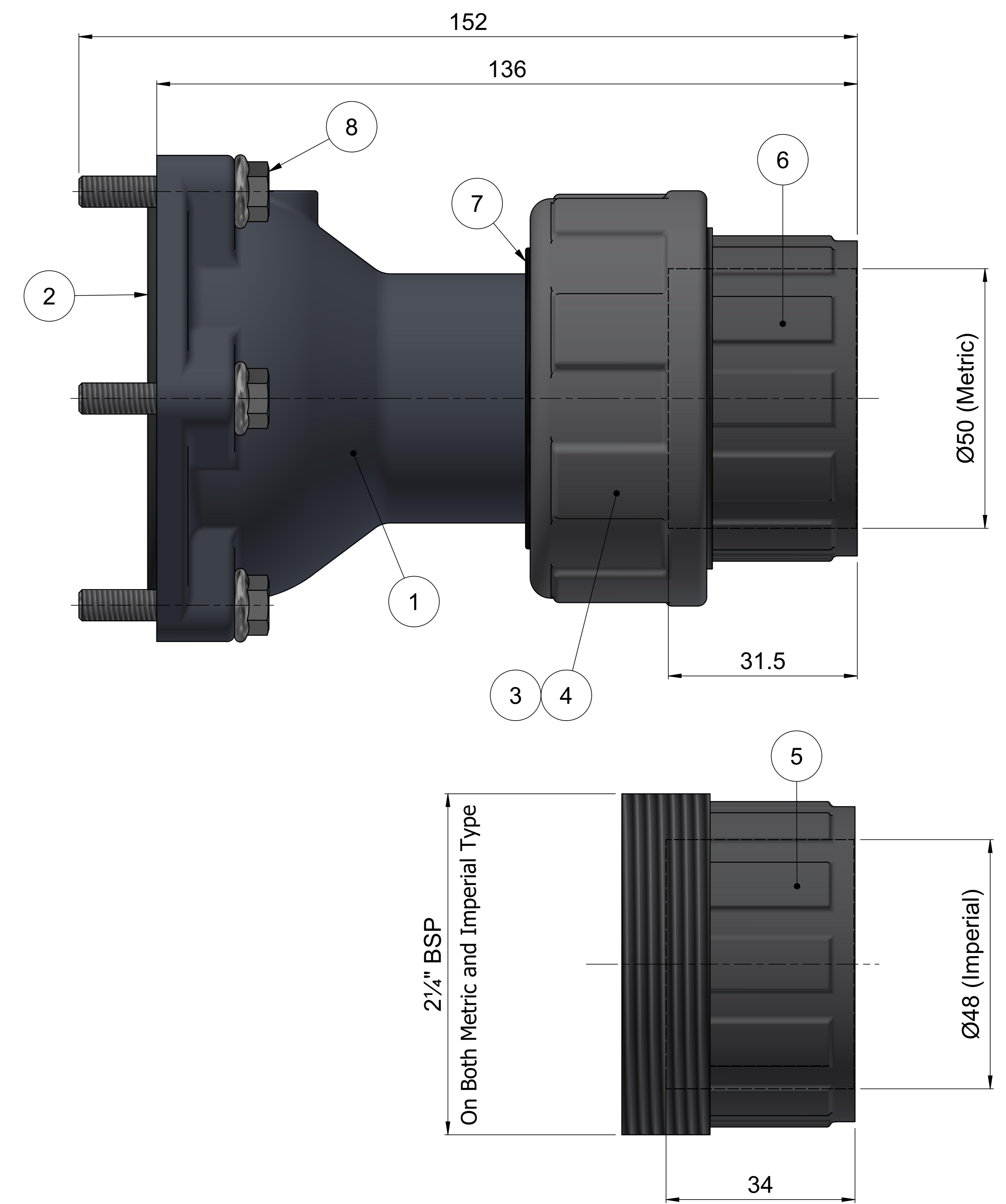


ISS No	MODIFICATION	DATE	SIGN
2	Thread Detail Added To Item 4, 5, 6, Flange Screw Description Corrected, Union Bush Solvent Weld Depth Corrected	17.07.24	J. Swain

THIS DRAWING IS STRICTLY PRIVATE AND CONFIDENTIAL AND IS THE SOLE PROPERTY OF E.J. BOWMAN (BIRMINGHAM) LTD. IT IS SUBJECT TO BOTH COPYRIGHT AND DESIGN RIGHT PROTECTION. ANY REPRODUCTION OF THIS DRAWING IN PART OR WHOLE SHALL BE MADE ONLY WITH THE WRITTEN CONSENT OF A DIRECTOR OF THE COMPANY.



**Notes:**  
 Assembly Weight = 0.4kg (Approx.)  
 End Cover Assembly Kit Part Number = 5030

Part No.	Drg No.	Qty	Description	Item	Material
FS06X30	-	6	Flange Screws - M6 x 30mm	8	Gr 8.8 Steel
4571	4571	2	Split Rings	7	GFN
5130	5130	1	Union Bush (Metric) Ø50mm - 2 1/4" BSP	6	UPVC
5131	5131	1	Union Bush (Imperial) Ø48mm - 2 1/4" BSP	5	UPVC
5132	5132	1	Union Ring (Locking Nut) - 2 1/4" BSP	4	UPVC
5133	5133	1	O Ring Seal (BS1806 - Size 328)	3	EPDM
AN12NT	3297	1	O Ring Seal (BS1806 - Size 234)	2	Nitrile
4567THD	4567THD	1	EC End Cover (Old Style)	1	GFN

IF IN DOUBT - PLEASE ASK!  
 ALL DIMENSIONS ARE IN MILLIMETRES

**E.J. BOWMAN (BIRMINGHAM) LTD.**  
 Chester Street, Birmingham, B6 4AP, England  
 Tel: +44(0) 121 359 5401 / Fax: +44(0) 121 359 7495  
 email: info@ej-bowman.com / www.ej-bowman.com

DRAWN:	J. Swain	TITLE:	EC Swim Pool E.Cov Assembly (Old Style) (Spare Part Kit)	
DATE:	14/04/2017	DRG No:		5030
REDRAWN:				
DATE:				
CHECKED:				
SCALE:	Varies (A0 Paper)			

85 EN ISO 9001  
REG. NO. FR9224

