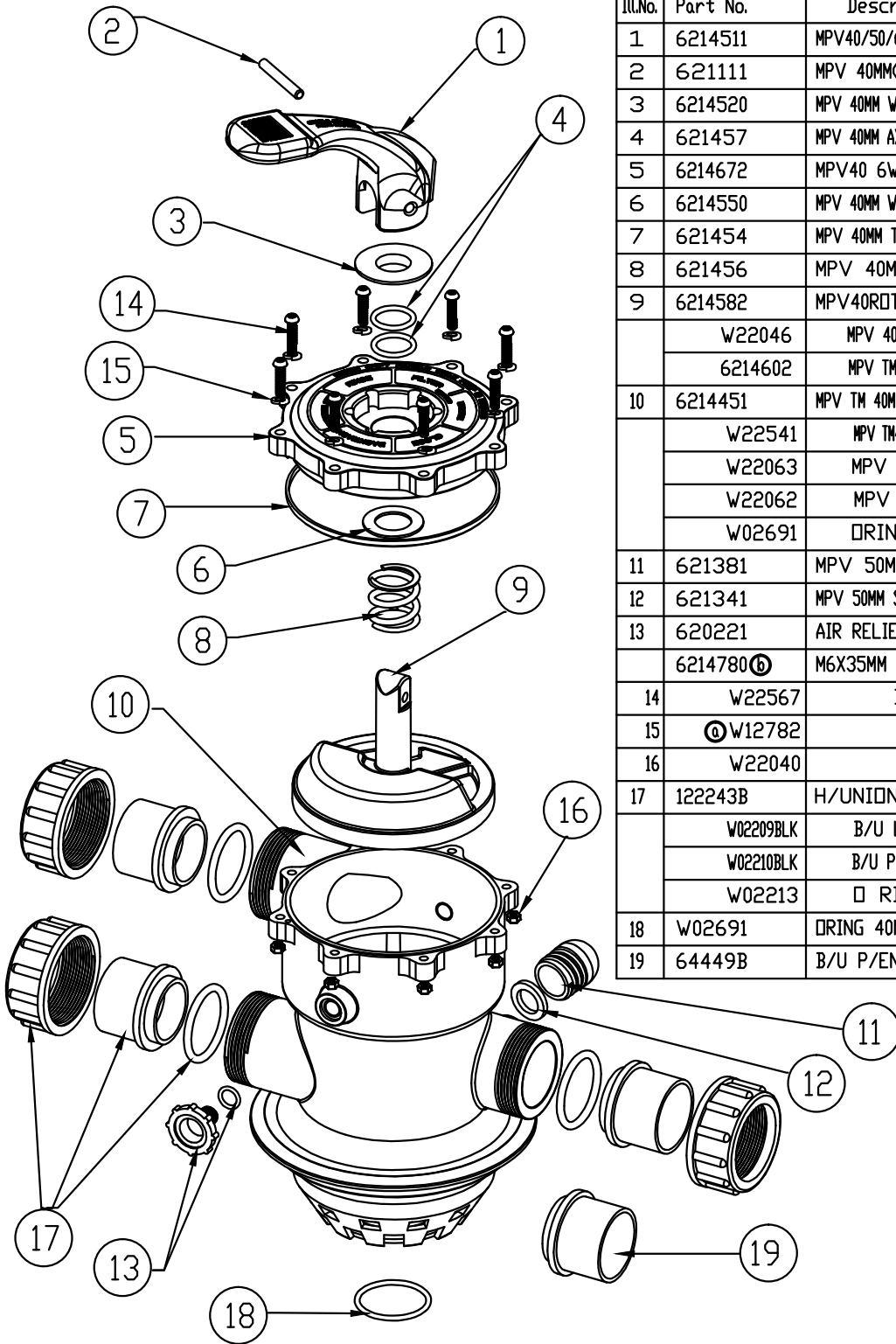


MPV TM40MM 6" CLAMP TYPE MK3 WATERCO (PN:22804456)



Ill.No.	Part No.	Description	Qty.
1	6214511	MPV40/50/65 HDL WTE	1
2	621111	MPV 40MM(K)/50MM(W) HANDLE PIN	1
3	6214520	MPV 40MM WASHER TOP COVER MK3 WCO	1
4	621457	MPV 40MM AXEL 'D' RING AS214 (K)	2
5	6214672	MPV40 6W T/CVR MK2 W	1
6	6214550	MPV 40MM WASHER ROTOR AXLE MK3 WCO	1
7	621454	MPV 40MM TOP COVER GASKET	1
8	621456	MPV 40MM SPRING	1
9	6214582	MPV40ROTORwGSK MK2 W	1
	W22046	MPV 40MM ROTOR w/GROOVE MK2 WCO	1
	6214602	MPV TM 40MM 6WAY SPIDER GASKET MK2	1
10	6214451	MPV TM 40MM BODY CLAMP 6WAY MK3 ASSY	1
	W22541	MPV TM40MM BODY CLAMP MK3 PORT EXT THRD	1
	W22063	MPV TM 40MM DIFFUSER MK2	1
	W22062	MPV TM 40MM ADAPTOR MK2	1
	W02691	DRING 40MPV 4W AS225	1
11	621381	MPV 50MM SIGHT GLASS W	1
12	621341	MPV 50MM SIGHT GLASS GASKET W	1
13	620221	AIR RELIEF VLV NEW-B	1
	6214780 (D)	M6X35MM P/H SCREW (SET OF 8)	1
14	W22567	BOLT M6X35P/H M/C A2	8
15	(D) W12782	WASHER M6 FLAT SS304	8
16	W22040	NUT HEX M6 S/S304	8
17	122243B	H/UNION40MMwDRING BK	3
	W02209BLK	B/U LOCKING NUT 40MM BLACK	3
	W02210BLK	B/U P/END SLIP/SLIP 40MM BLACK	3
	W02213	O RING 40MM B/U EPDM	3
18	W02691	DRING 40MPV 4W AS225	1
19	64449B	B/U P/END 50MET BK E	3

Note :
 22804456EUM, MPV TM40MM 6" CLAMP TYPE MK3 WATERCO EUM
 -to add 3pcsx64449B, B/U PLAIN END SLIP/SLIP50MM METRIC BLK E (Ill. No. 19)

MACHINE TOLERANCES				Supersedes-		DK FOR PRODUCTION	DATE
Unless otherwise specified-				Superseded by-		WATERCO LTD	
INCH		METRIC		Drn	YLZ/LL	Date	30/8/12
Fractional Dimensions ± 1/64"		1 significant Figure ± 0.5mm		Scale	NTS	Proj.	
Decimal Dimensions ± 0.005"		2 significant Figures ± 0.15mm		Check	LL	App	PT
PRINT DISTRIBUTION				MACHINE SYMBOL		Type & Part	
Production		Spare Parts		Clean		ASSEMBLY (PN:22804456)	
Inspection		Purchase		Rough M/C		MPV TM40MM 6" CLAMP TYPE MK3 WATERCO	
Method		Assembly		Fine M/C			
Accounts		Service Dept		Grind		Drg.N Q WFE-0465	
Letter		Date		Change		App	